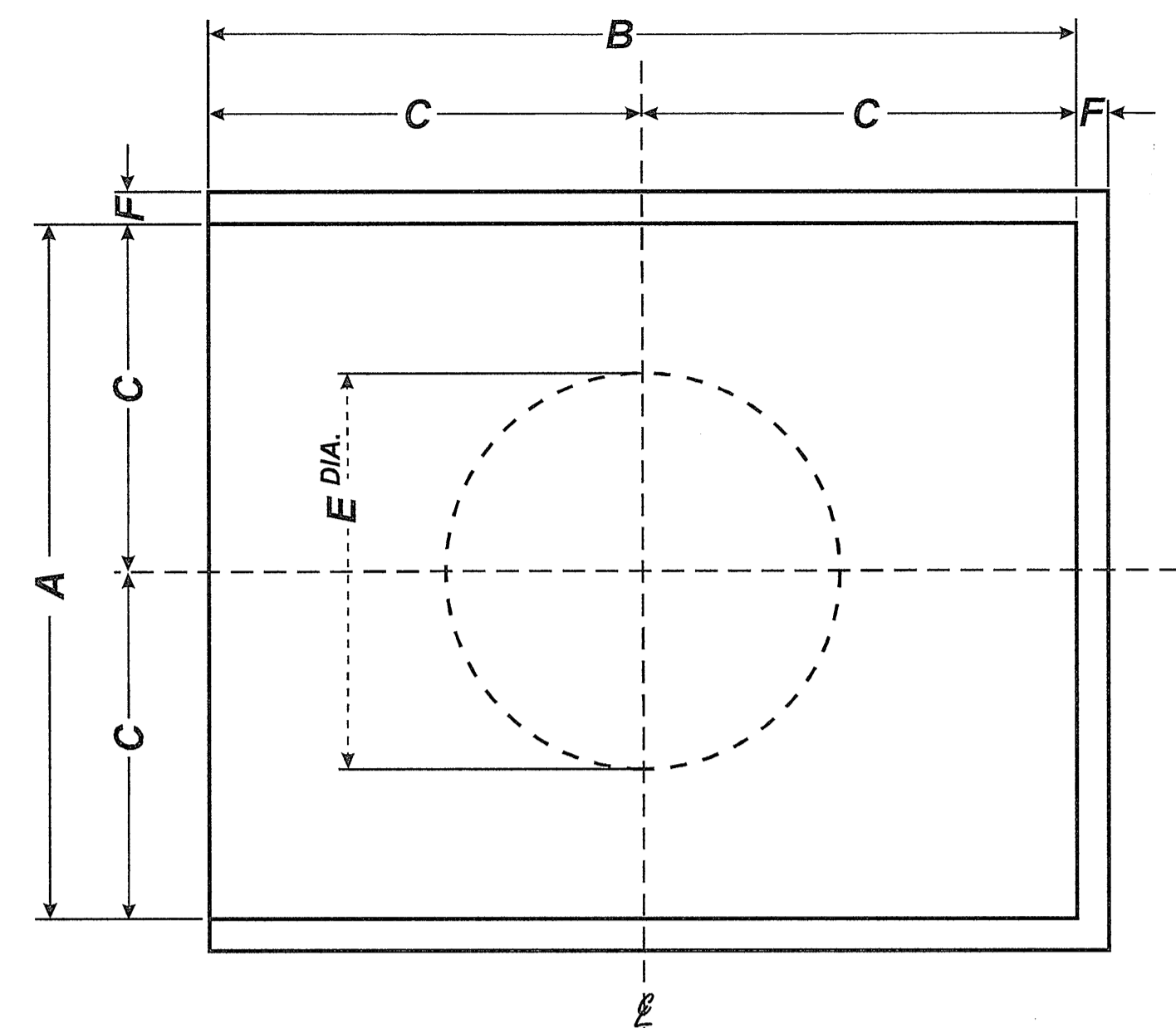




DEVICE 1/2 ACTUAL SIZE FOR 4'-4" X 5'-6" DISTINGUISHING FLAG



DISTINGUISHING FLAG - SCALE 1" = 1'-0" (INDOOR FLAG)

NOTES

1. TO BE MANUFACTURED IN ACCORDANCE WITH LATEST REVISION OF SPECIFICATION MIL-DTL-2692.
2. DEVICE SHALL APPEAR ON BOTH SIDES OF THE FLAG AND GUIDON AND WILL APPEAR ON THE REVERSE SIDE AS IF PRINTED THROUGH EXCEPT LETTERING SHALL READ FROM LEFT TO RIGHT ON BOTH SIDES.
3. INDOOR FLAG - DEVICE SHALL BE BONAZ EMBROIDERY. DEVICE FOR REVERSE SIDE SHALL BE EMBROIDERED ON A DISC OF MATCHING BASE CLOTH AND APPLIED, WITH A SINGLE THICKNESS BASE CLOTH LINING, TO FLAG BASE UTILIZING GOLDEN YELLOW (GOLDEN YELLOW HD CABLE No. 67104) EMBROIDERY.
4. OUTDOOR AND BOAT FLAGS - DEVICE TO BE SCREEN PRINTED UTILIZING PENETRATING DYES. LETTERING FOR REVERSE SIDE WILL BE SCREEN PRINTED ON A SEPARATE CIRCULAR BAND OF BASE CLOTH AND APPLIED TO FLAG BASE WITH GOLDEN YELLOW EMBROIDERY (GOLDEN YELLOW HD CABLE No 67104).

MATERIALS

- INDOOR FLAGS**
- FLAG BASE ----- RAYON BANNER CLOTH
 - DEVICE ----- RAYON BONAZ EMBROIDERY
 - FRINGE ----- RAYON, 2-1/2' WIDTH
- OUTDOOR AND BOAT FLAGS**
- FLAG BASE ----- LIGHTWEIGHT NYLON
 - DEVICE ----- SCREEN PRINTED

COLOR AND CABLE NUMBERS OF COLORS

- FLAG BASE ----- GOLDEN YELLOW ----- 65001
- DEVICE & FRINGE ----- ULTRAMARINE BLUE ----- 67118

REVISIONS			
ZONE/LTR	DESCRIPTION	DATE	APPROVED

No. OF LINE	KIND	DIMENSIONS						HEADING	
		A (HOIST)	B (FLY)	C	D	E (DIA)	F	TYPE	TIOH DWG. NUMBER
1.	INDOOR	4' - 4"	5' - 6"	2' - 2"	2' - 9"	2' - 6"	2 1/2"	TYPE 2	5-1-45E
2.	OUTDOOR - DRESS	10' - 0"	19' - 0"	5' - 0"	9' - 6"	5' - 9 1/2"		TYPE 1 CLASS 2	5-1-45B
1.	OUTDOOR - FAIR WEATHER	5' - 0"	9' - 6"	2' - 6"	4' - 9"	2' - 10 5/8"		TYPE 1 CLASS 2	5-1-45B
1.	OUTDOOR - STORM	3' - 6 1/4"	6' - 8 1/4"	28 1/4"	3' - 4 1/8"	2' - 3/8"		TYPE 1 CLASS 2	5-1-45B
1.	BOAT	2' - 8"	4' - 0"	16"	2' - 0"	18 1/2"		TYPE 1 CLASS 2	5-1-45B
1.	SMALL BOAT	2' - 0"	3' - 0"	12"	18"	13 7/8"		TYPE 1 CLASS 2	5-1-45B

SUPERSEDES TIOH DRAWING No. 5-1-676 DATED 4 JUNE 1986

UNLESS OTHERWISE SPECIFIED DIMENSIONS ARE IN INCHES TOLERANCES ON FRACTIONS DECIMALS ANGLES	THE INSTITUTE OF HERALDRY, DEPARTMENT OF THE ARMY 9325 GUNSTON RD, RM S-113 FORT BELVOIR, VA 22060-5579		
	DISTINGUISHING FLAG		
PUBLIC HEALTH SERVICE			
MATERIAL:	EXAMINED <i>TC</i>	CHECKED <i>SM</i> <i>SAO</i>	SIZE CODE IDENT. NO
	PREPARED <i>CLH</i>	APPROVED <i>Charles V. Mugno</i>	D 22571
		CHARLES V. MUGNO DIRECTOR	5-1-676
	SCALE	DATE	29 AUGUST 2013